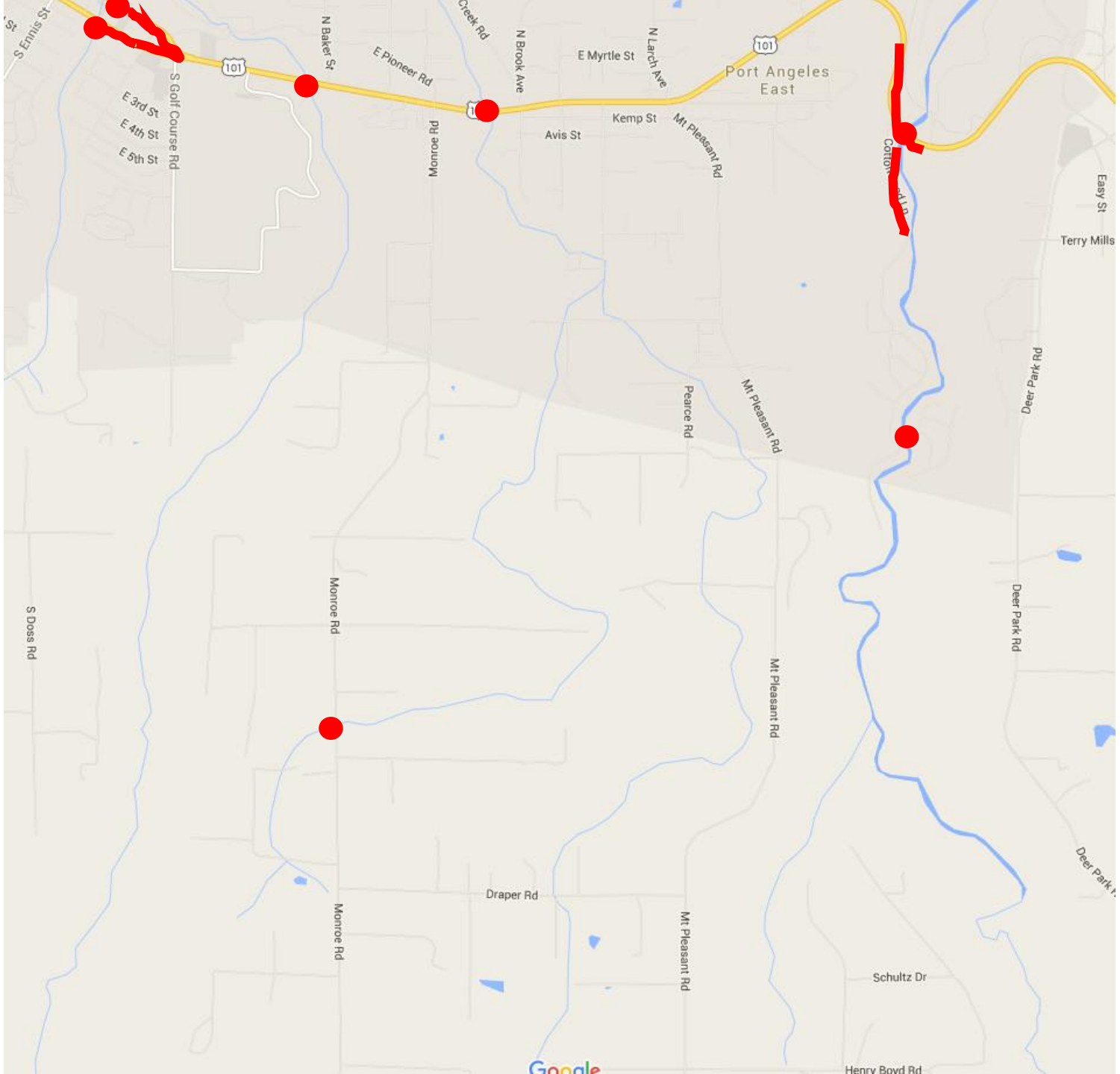


CAMPING IN YOUR HOUSE



Jim Buck (928-2177)
buckdj@olypen.com



Assess your shelter



If your house looks like this you might want to salvage materials and build a shelter ... or use a camper to shelter in place.

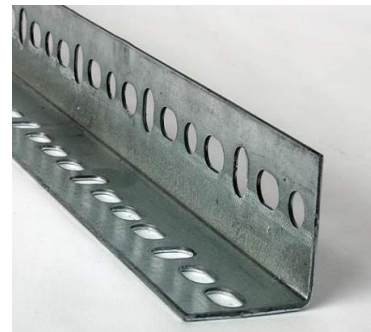


If your house looks like this you might want to use it to shelter in place.

Repair your shelter



Items handy for repair



Clean up your shelter



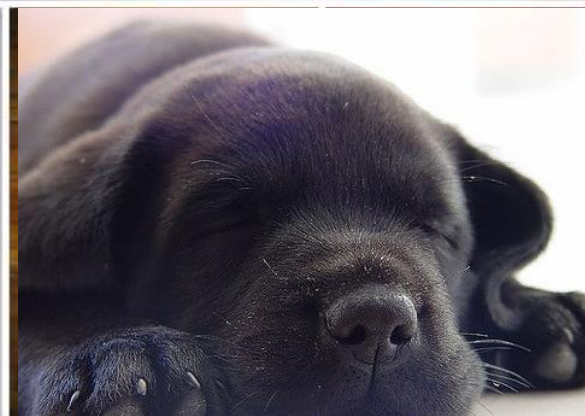
Build a tent in your shelter



More affordable tents



Warming your bed



Water Purification



Food Supplies



Cooking



The Bathroom



Human Waste Disposal



Light, Heat and Fuel



Fire Starting



Fire Protection



Optional Equipment

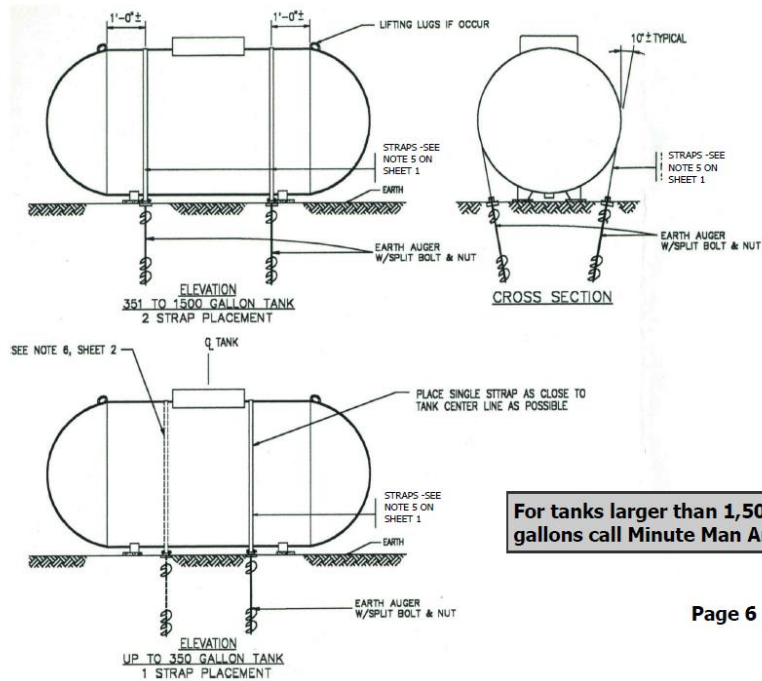


Minute Man Anchors, inc.

Galvanized G-115 Strapping for Side Mounted Tank Anchoring System



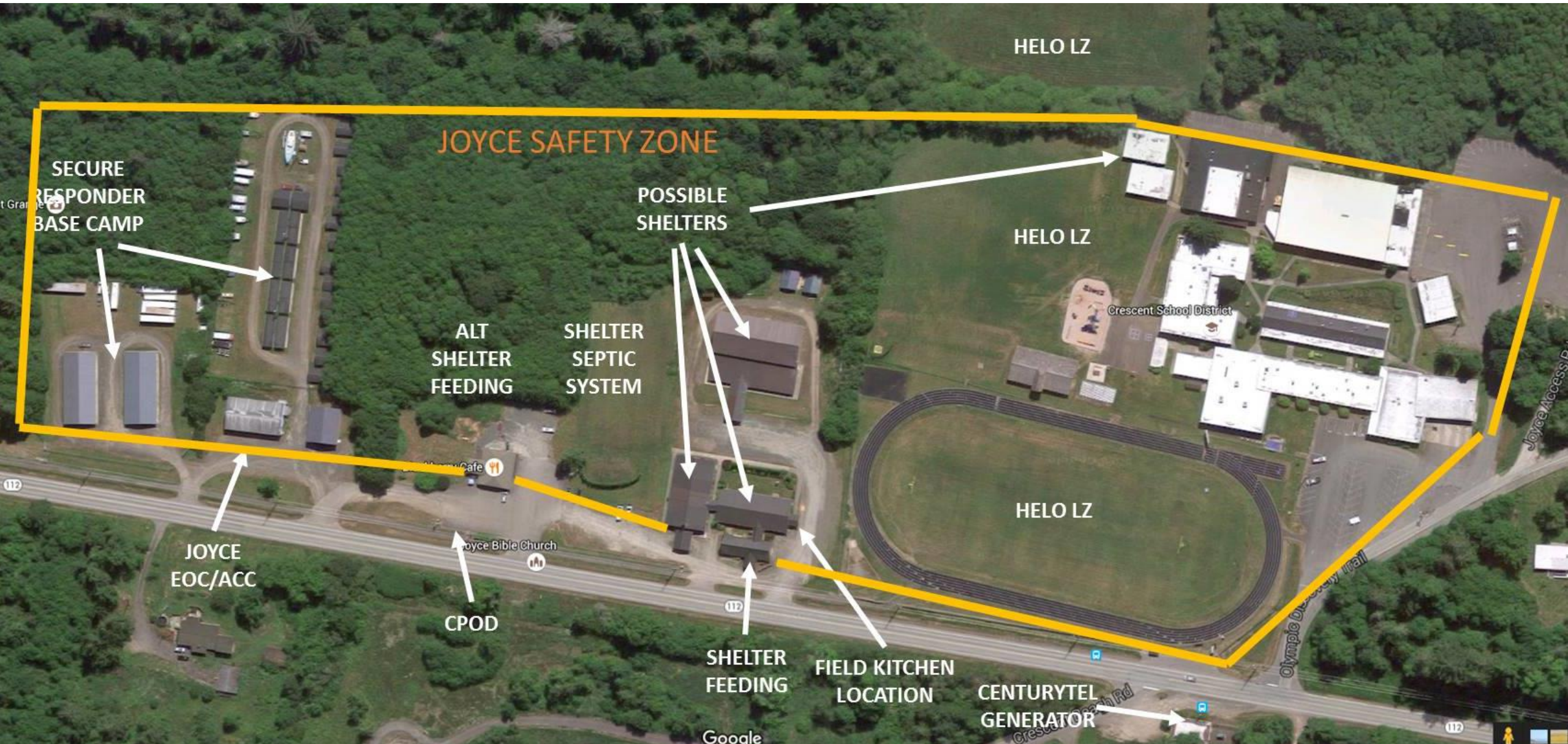
- 2 pieces of Galvanized G-115 Strapping
- 2 pieces of Vinyl Strap Sheathing
- 4 Auger Anchors or optional Concrete Anchors
- 4 Strap Bolts & Nuts



For tanks larger than 1,500 gallons call Minute Man Anchors



Area Command 3 – Joyce Plan



Joyce Emergency Cache

