

EMERGENCY PREPARATION IN JOYCE

Jim Buck—Intro & Supplies
Terry Barnett—Water Purification
Pat Baxter—CERT, Shelter Class, ARIES
Parker Stoops—Orientation/Location
Harry Mitchell—Future Shelter
Carolyn Flint—Cert & FD4 Ties
Bruce Leiper—Fundraising
Mel Melmed—Bake Sales
Dan & Judy Harvey—Propane Tanks
Glen Roggenbuck—Elwha Support
Crescent Students—School Drill



OCT 24TH

6:00 PM

CRESCENT GRANGE



CASCADIA SUBDUCTION ZONE

Plate Tectonic Setting

Subduction zone: Juan de Fuca and Gorda plate subducting beneath North American plate

Rate: ~3 cm/year

Dip of interface: ~12°

PACIFIC PLATE

JUAN DE FUCA PLATE

NORTH AMERICAN PLATE

GORDA PLATE

Most Recent Great Earthquake

Date: January 26, 1700

Magnitude: ~9.0

Rupture length: ~1000 km

Rupture width: ~80 km

Recurrence interval: 500 years

1000 km

PACIFIC PLATE

Tsunami Characteristics

(rough estimate from Native American oral history and written records in Japan)

Peak tsunami height in the near-source area: ~60 ft at mouth of Redwood Creek, Northern California (from Yurok stories)

Peak tsunami height in Japan (9 hours travel time and 3900 miles away): ~15 ft

THE 9.2 QUAKE

Location: 130 miles off coast

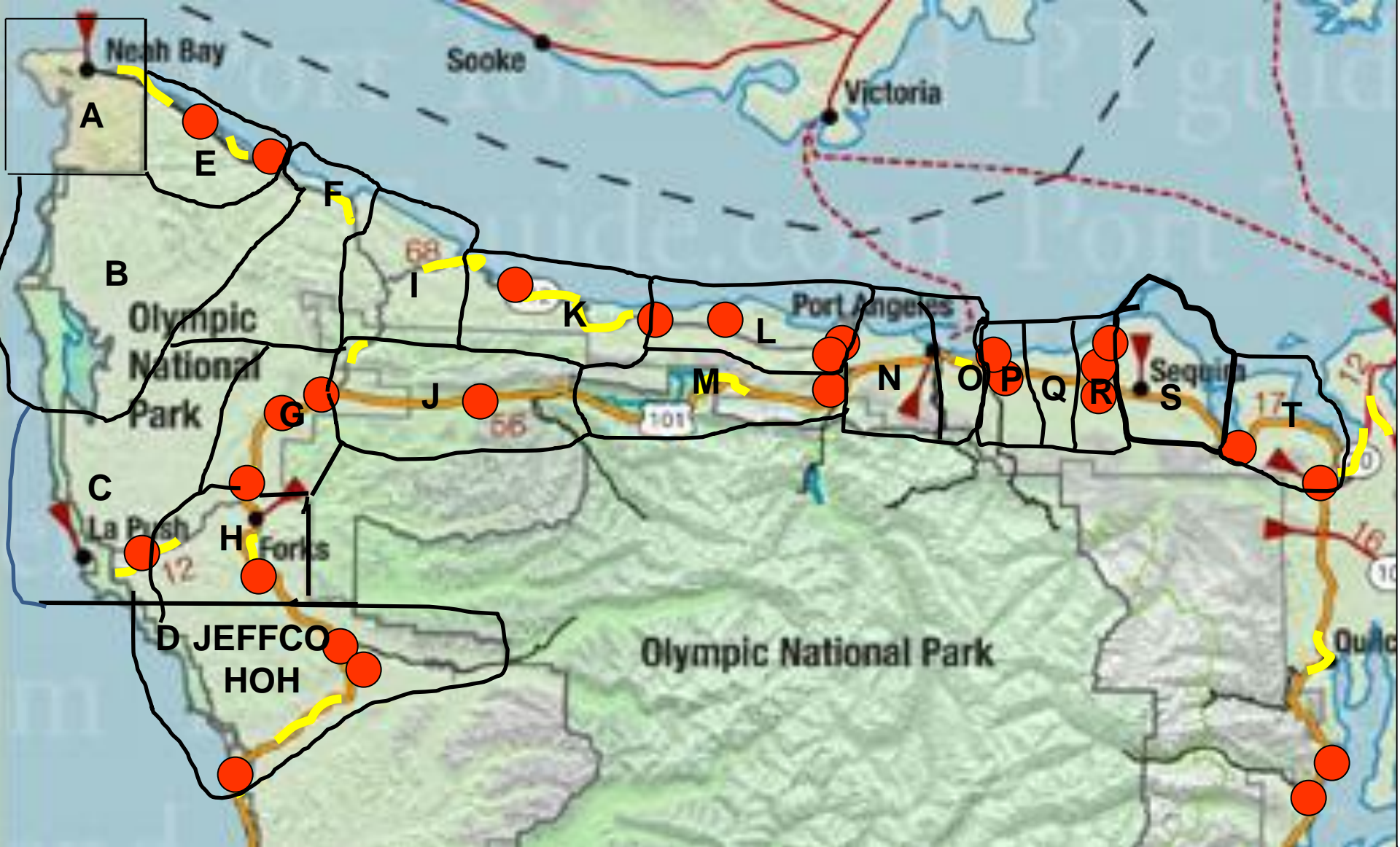
Length of Rupture: 600 miles

Width of Rupture: 50 miles

Duration: 6.5 minutes

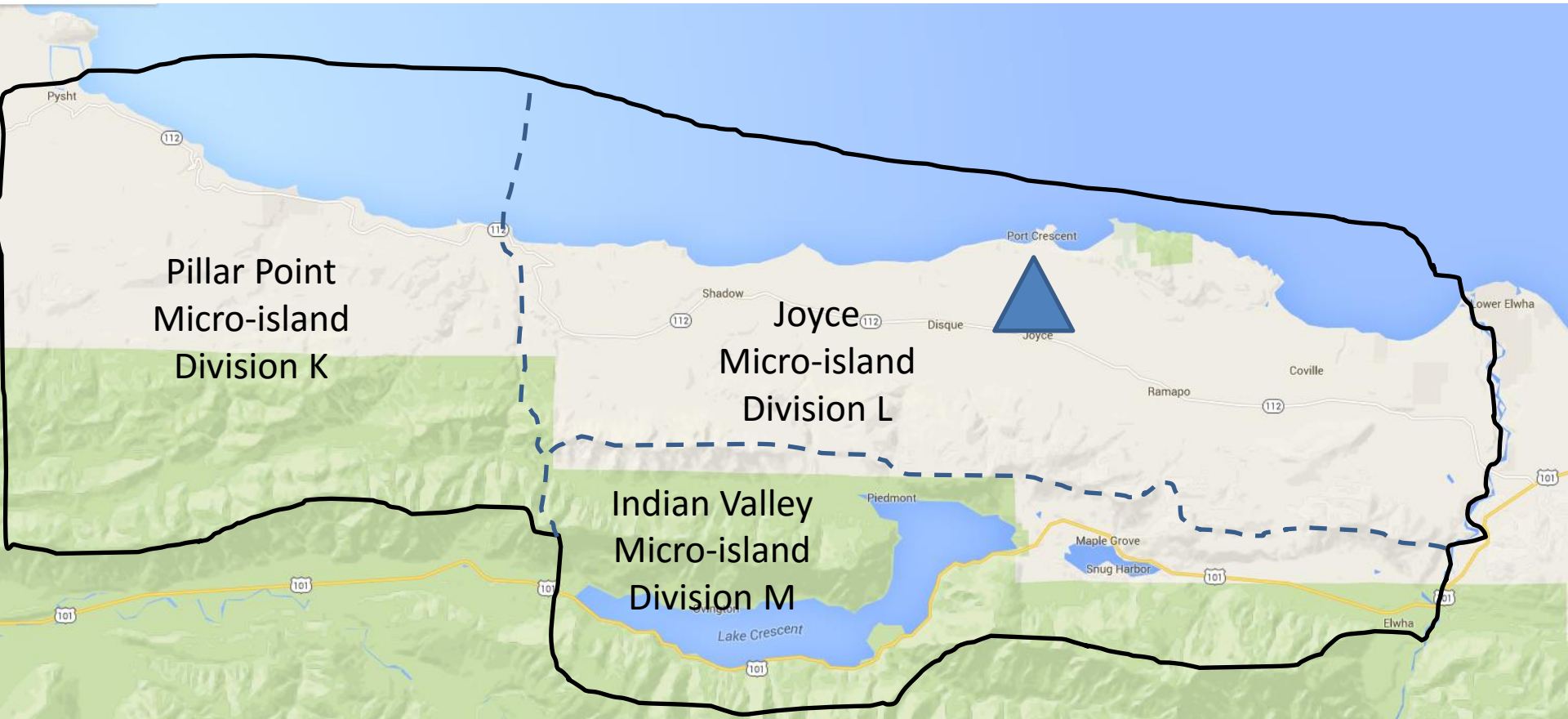
Magnitude at rupture: 9.2

Ground shaking in Joyce – You won't be able to stand or walk for 6.5 minutes.

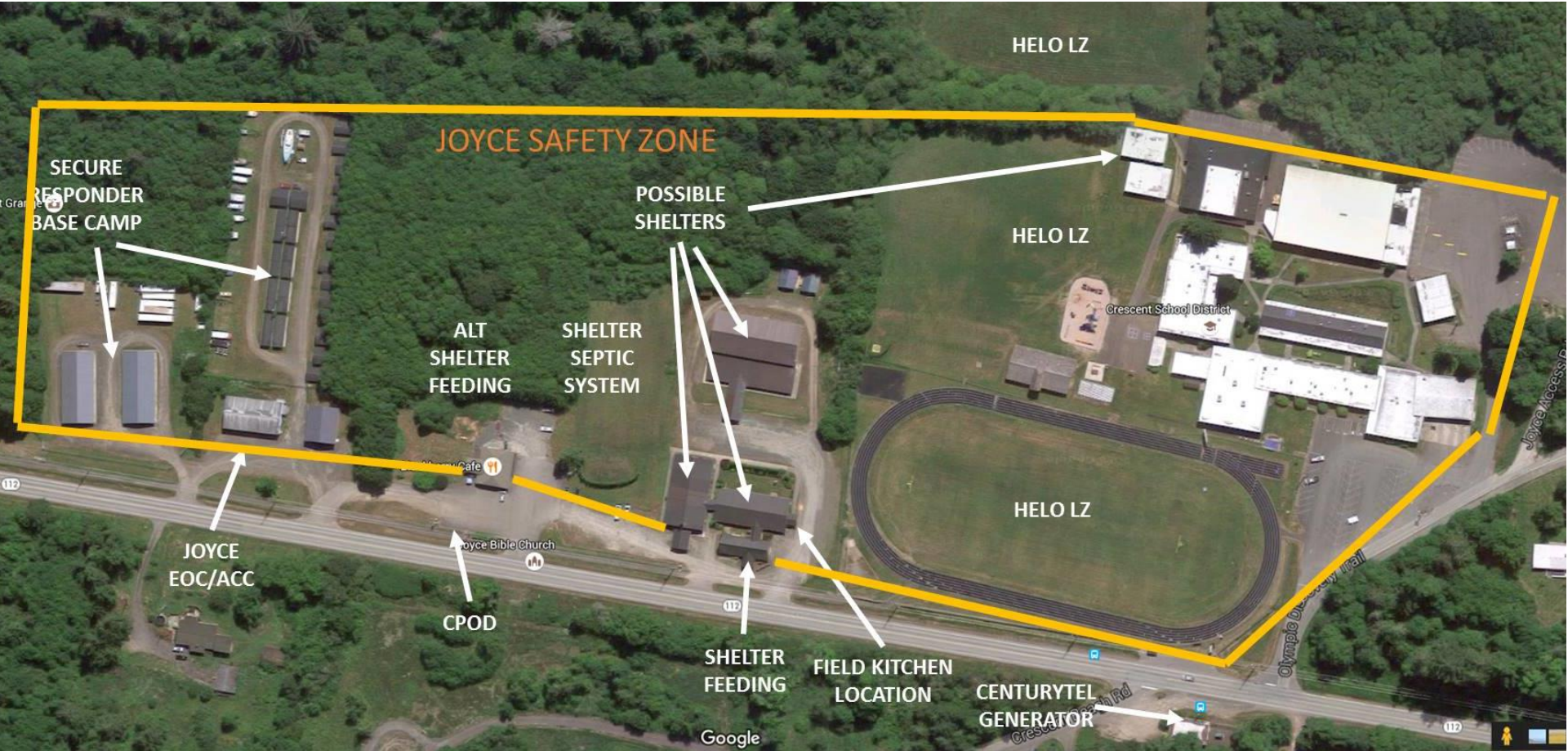


Damaged roads and bridges divide the county into at least 20 micro-islands.

Area Command 3 - Joyce



AREA COMMAND 3 – JOYCE PLAN



HOW YOU CAN HELP

- **Shelter in place**
- **Help your neighbor shelter in place**
- **Share your freezer**
- **Don't drive**
- **Volunteer to help**

SHELTER IN PLACE - ASSESS YOUR SHELTER



SHELTER IN PLACE - REPAIR YOUR SHELTER



SHELTER IN PLACE - CAMP IN YOUR HOUSE



VOLUNTEERS FOR THE JOYCE AREA

SHELTER STAFF



JEPP



HAM RADIO



CERT

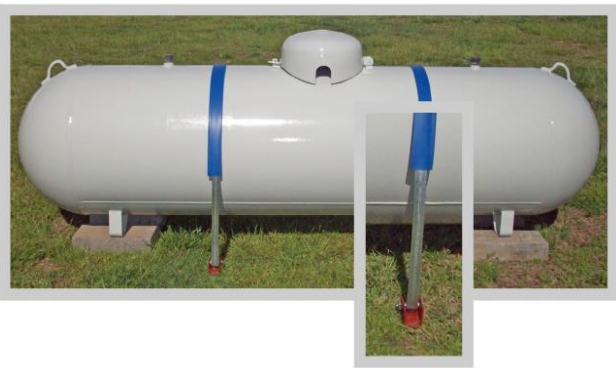


JOYCE EMERGENCY CACHE

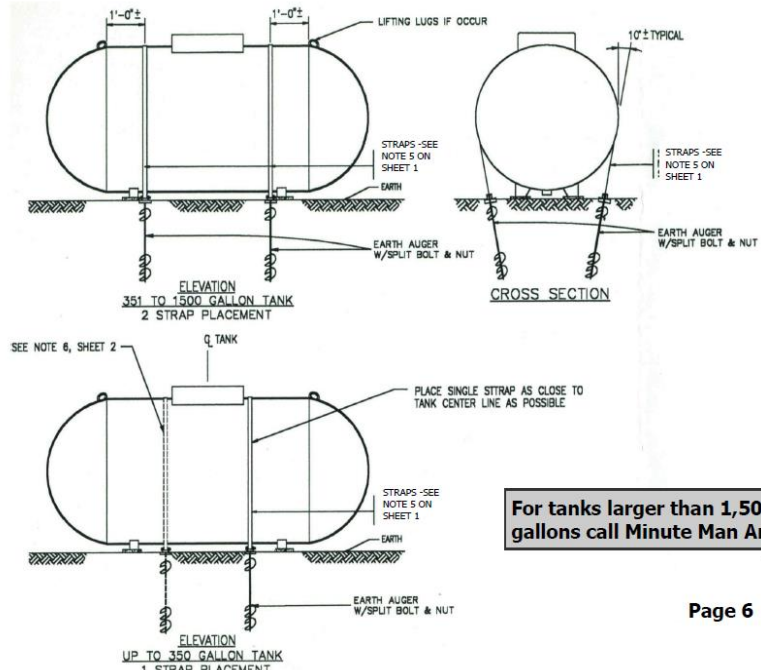


Minute Man Anchors, inc.

Galvanized G-115 Strapping for Side Mounted Tank Anchoring System



- 2 pieces of Galvanized G-115 Strapping
- 2 pieces of Vinyl Strap Sheathing
- 4 Auger Anchors or optional Concrete Anchors
- 4 Strap Bolts & Nuts



For tanks larger than 1,500 gallons call Minute Man Anchors

