

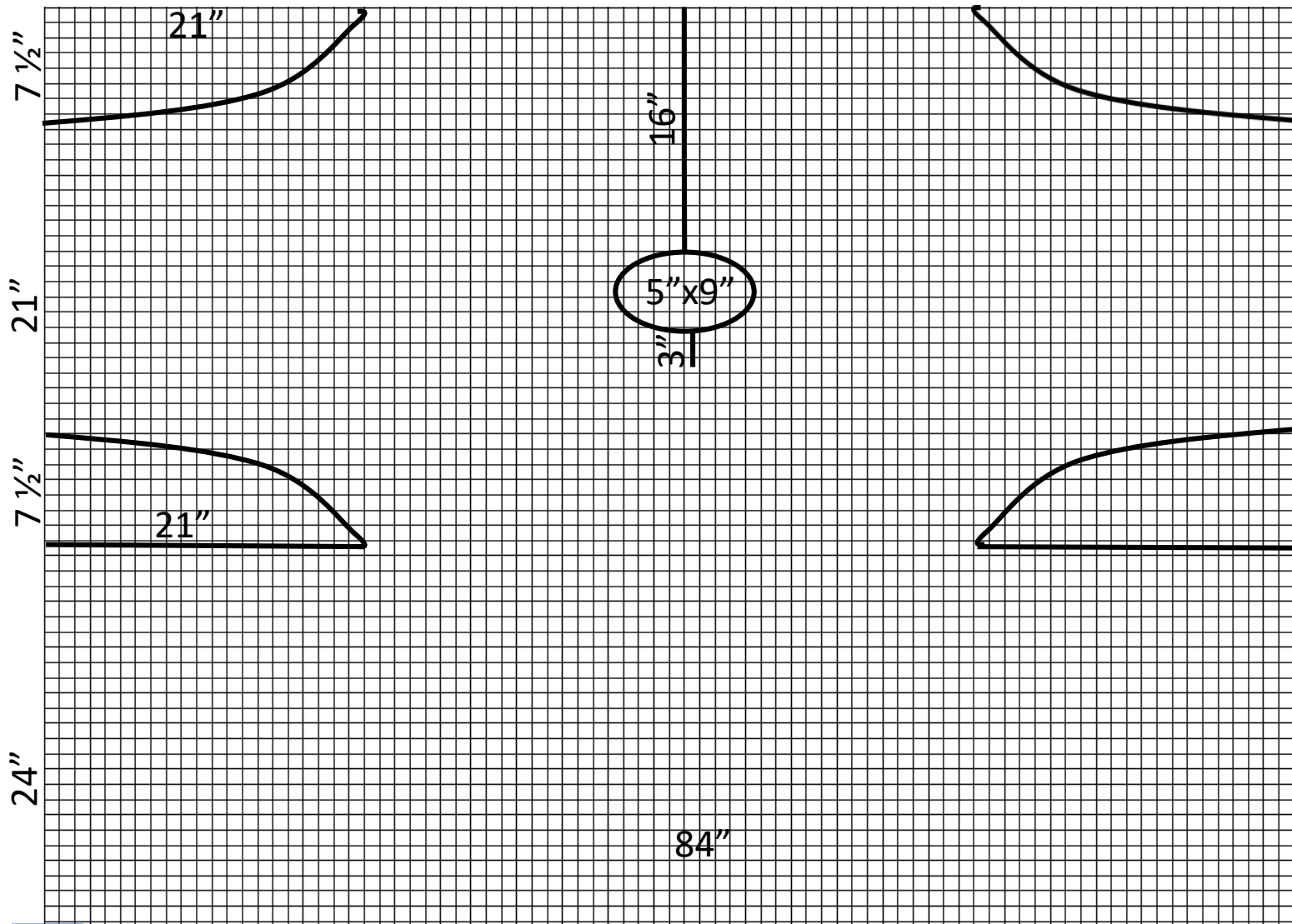
**HOW TO MAKE
FIELD EXPEDIENT
PERSONAL
PROTECTIVE
SURGICAL GOWNS**

Select a fabric

You must choose the appropriate fabric for the gown you are going to make. Think about what you are going to use it for.

- If you are dealing with Washable gowns made of cotton or other breathable fabrics provide limited protection can be useful. These are especially valuable if sterile laundry is available but they provide limited protection.
- Disposable water resistant gowns can be made of Tyvek house wrap, rayon or other water resistant fabrics that provide small scale HAZMAT protection they are awkward to use.
- Impervious gowns can be made materials such as trash bags can be used

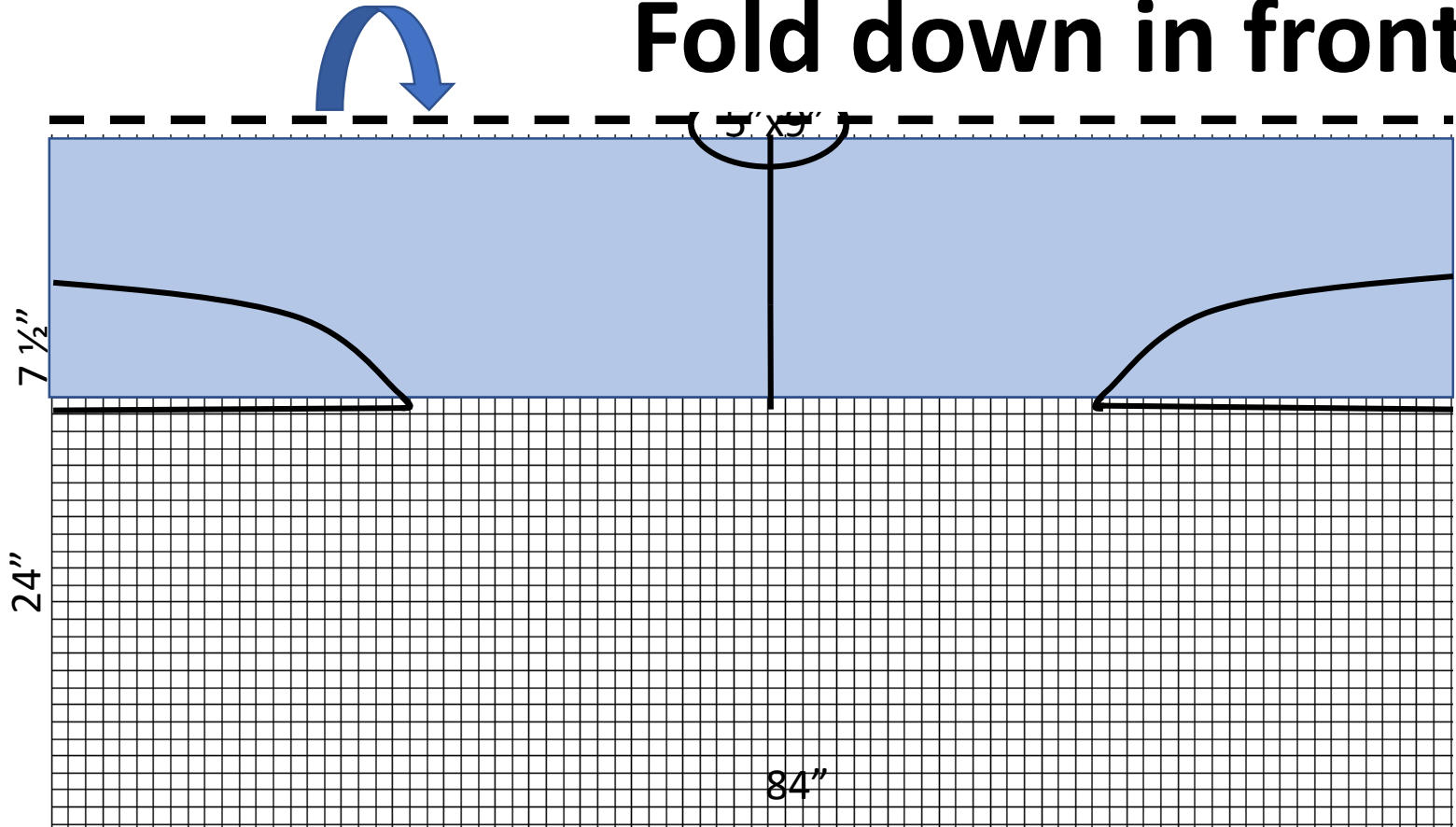
60"x84" rectangle



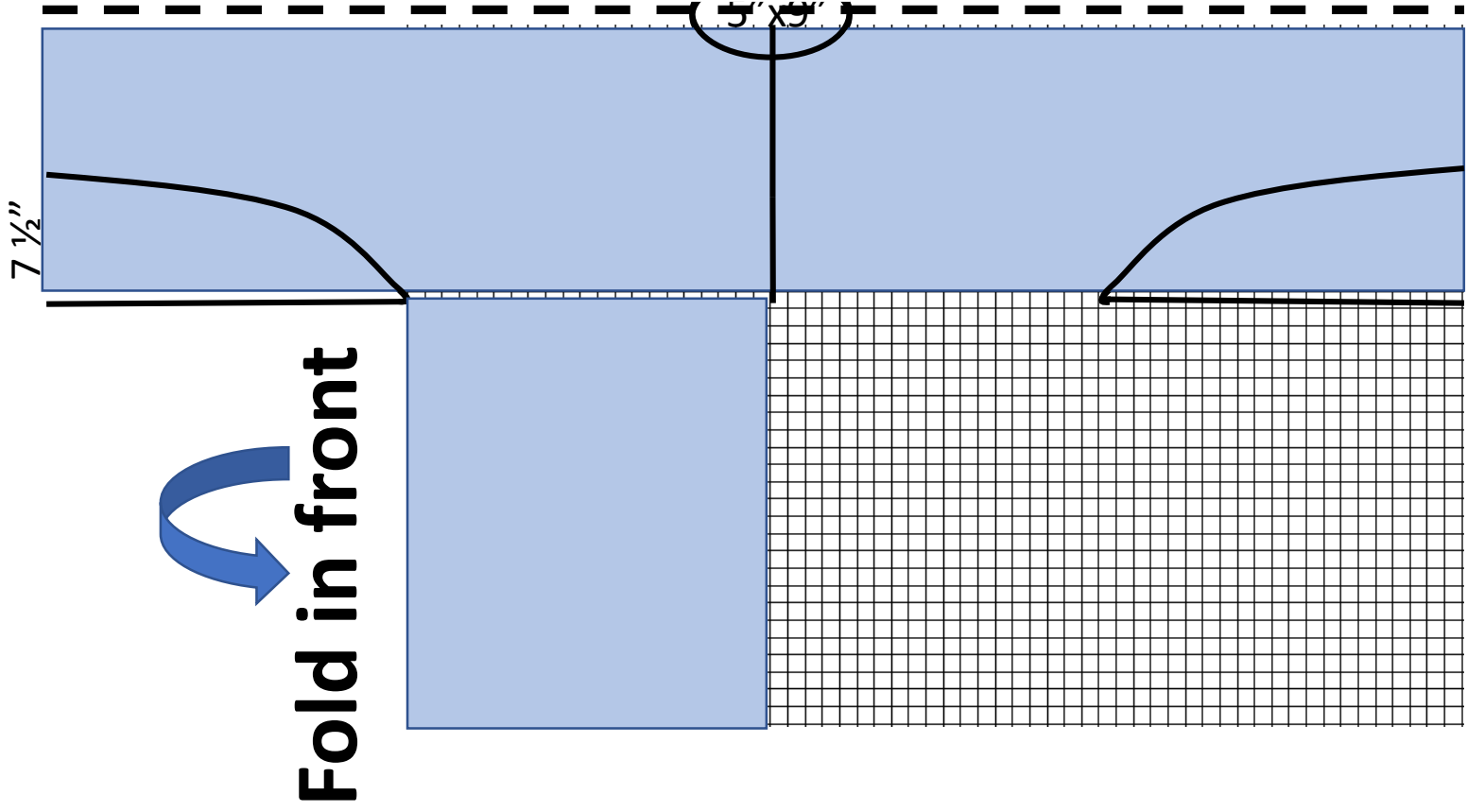
[Click to watch sewing](#)

60"x84" rectangle

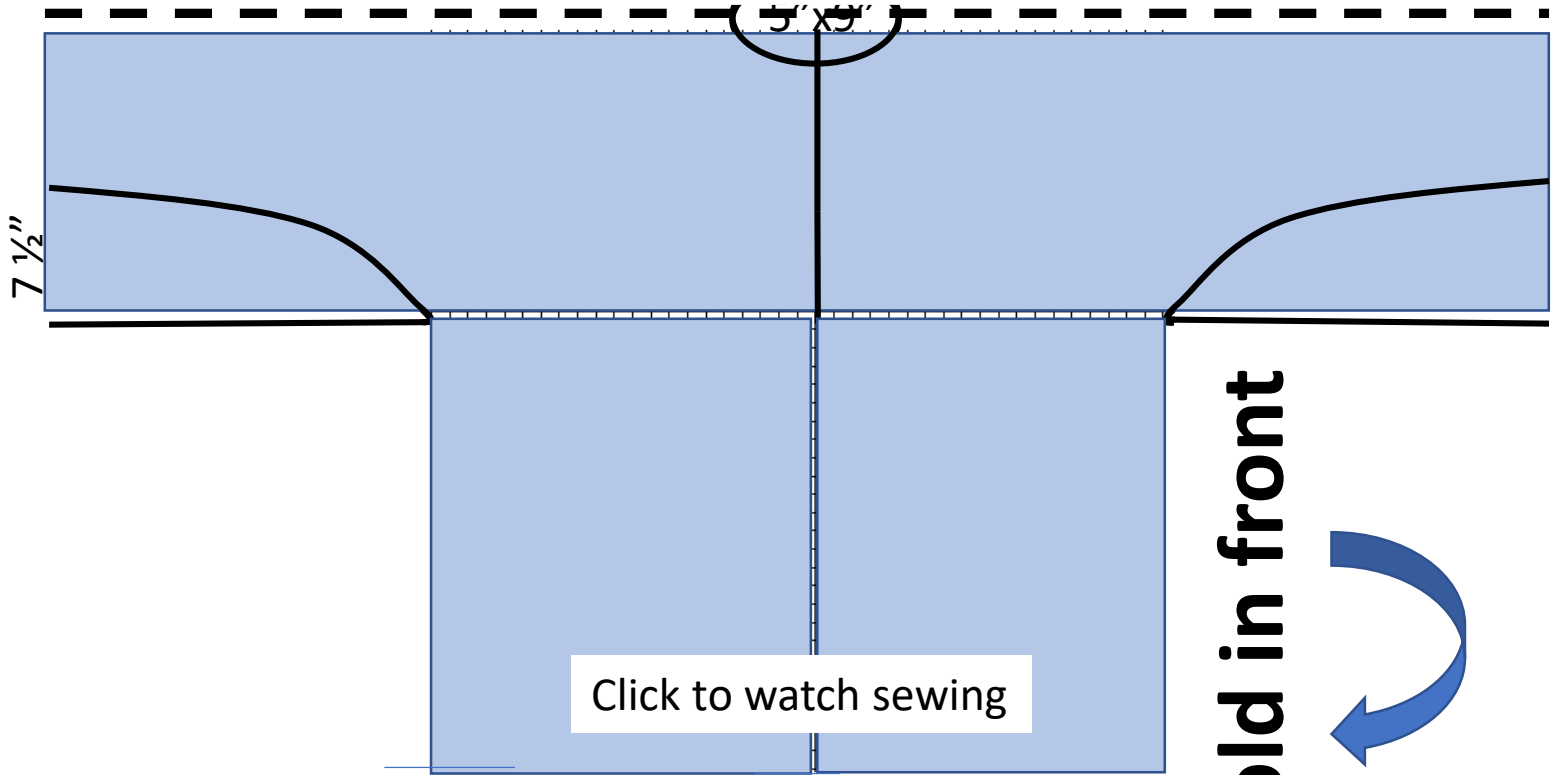
Fold down in front



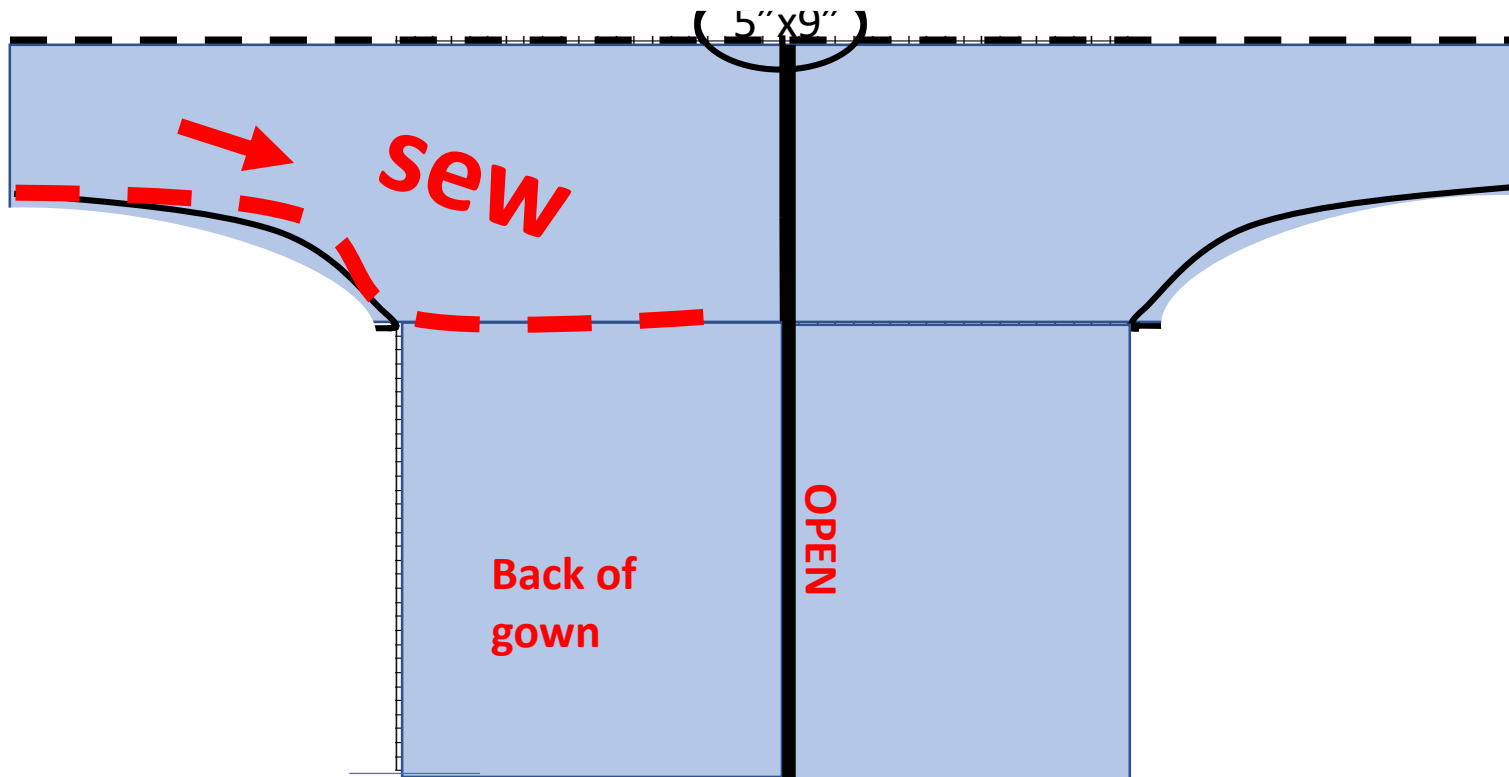
60"x84" rectangle



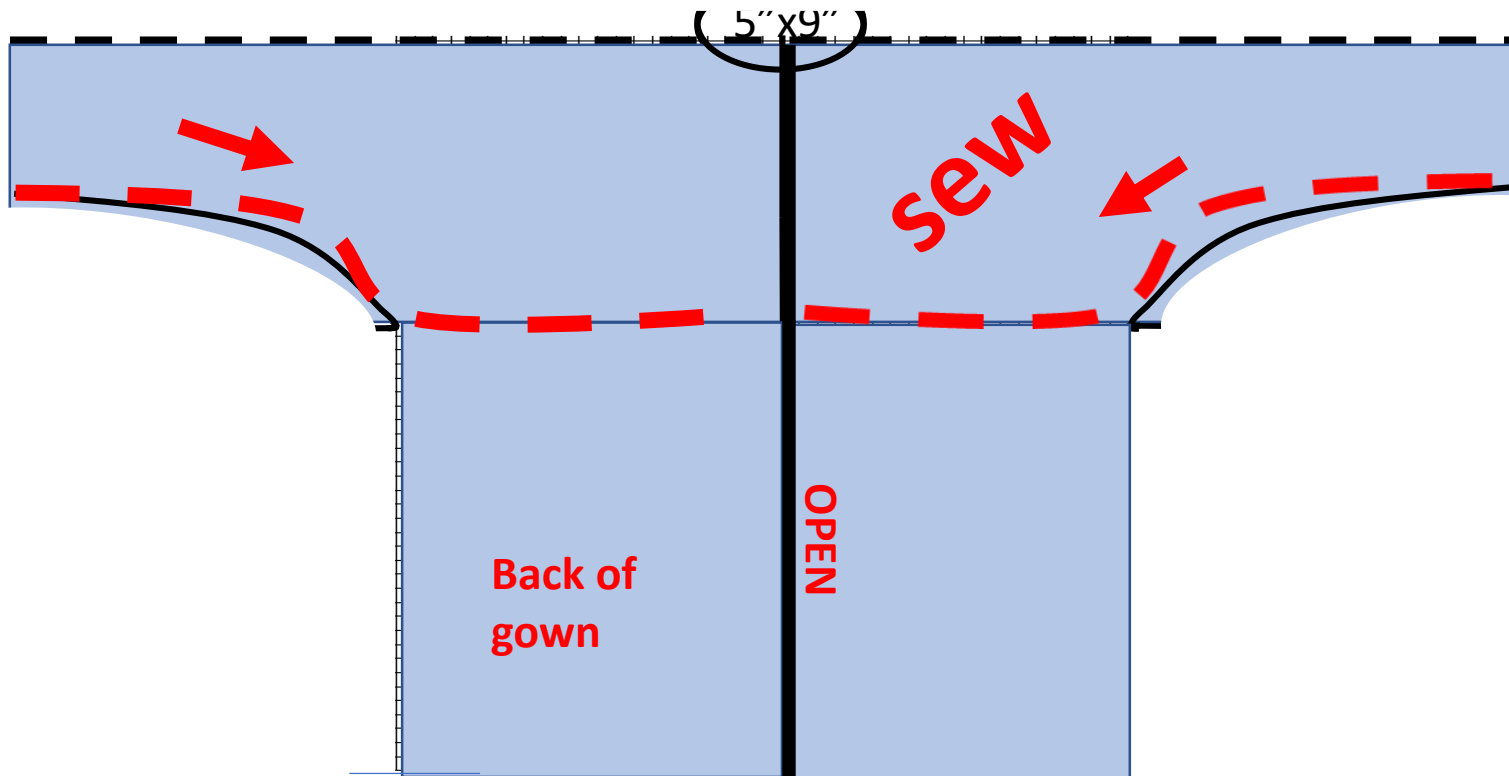
60"x84" rectangle



Sew under the arm and then across half the back. Do this on each side leaving the back open. You can add straps later if needed.



Sew under the arm and then across half the back. Do this on each side leaving the back open. You can add straps later if needed.



Turn inside out

**This is an XL
size so the
cuffs need to
be rolled.**



If making a smaller size,
be sure this distance is $\frac{1}{4}$
the length

